

## BEST 450 SOTTOTOP



### CARATTERISTICHE PRODOTTO

|                             |                   |
|-----------------------------|-------------------|
| <b>Descrizione</b>          | Lavello 2 vasche  |
| <b>Modello</b>              | BEST 450 SOTTOTOP |
| <b>Base (mm)</b>            | 900               |
| <b>Installazioni</b>        | Sottotop          |
| <b>Dimensioni (mm)</b>      | 836 x 488         |
| <b>Foro da Incasso (mm)</b> | 795 x 448 R6      |
| <b>Numero Vasche</b>        | 2                 |

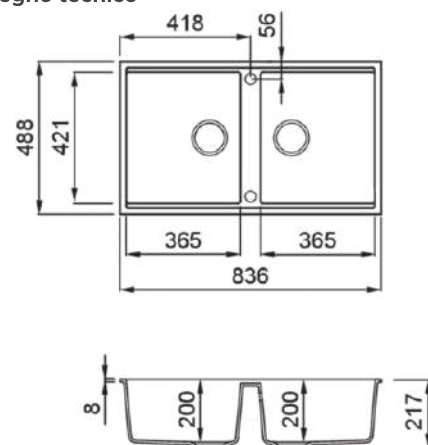
### DATI LOGISTICI

|                                |                 |
|--------------------------------|-----------------|
| <b>Peso Lordo (kg)</b>         | 19,40           |
| <b>Peso Netto (kg)</b>         | 14,50           |
| <b>Dimensioni Imballo (kg)</b> | 940 x 575 x 300 |
| <b>Volume Imballo (kg)</b>     | 0,162           |

### CARATTERISTICHE IMBALLO

|                |   |
|----------------|---|
| <b>Imballo</b> | Cartone e polietilene   |
| <b>Corredi</b> | Sifone salvaspazio, piletta Flow Pro integrata, troppopieno rettangolare e ganci. |

### Disegno tecnico



## KERATEK



**LKB45086BSO** K86  
8031873020149



**LKB45093BSO** K93  
8031873026523



**LKB45095BSO** K95  
8031873026530



**LKB45096BSO** K96  
8031873020163



**LKB45097BSO** K97  
8031873026554



**LKB45099BSO** K99  
8031873026578

## GRANITEK

### METAL



**LMB45073BSO** M73  
8032861953739



**LMB45079BSO** M79  
8032861953753

# GRANITEK

## MATT



**LGB45040BSO** G40  
8032861047872



**LGB45043BSO** G43  
8032861043423



**LGB45048BSO** G48  
8032557030843



**LGB45068BSO** G68  
8032861043614



**LGB45078BSO** G78  
8032557066934

# GRANITEK

## CLASSIC



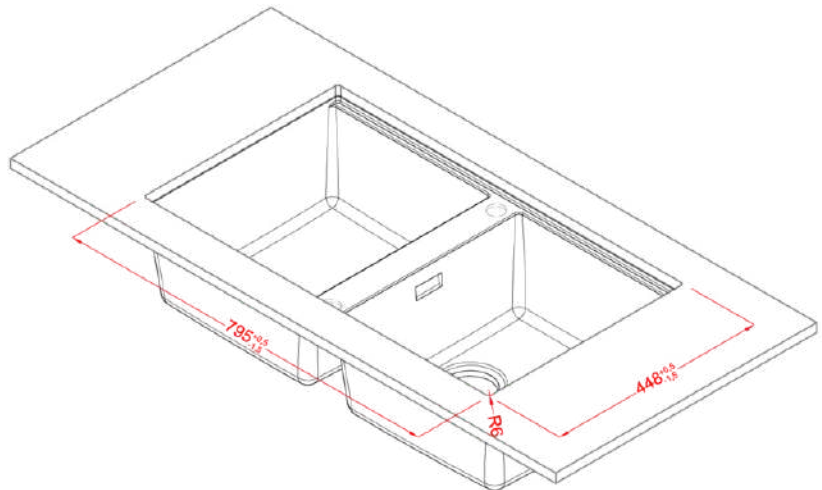
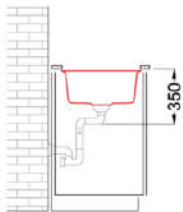
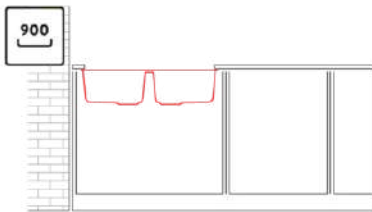
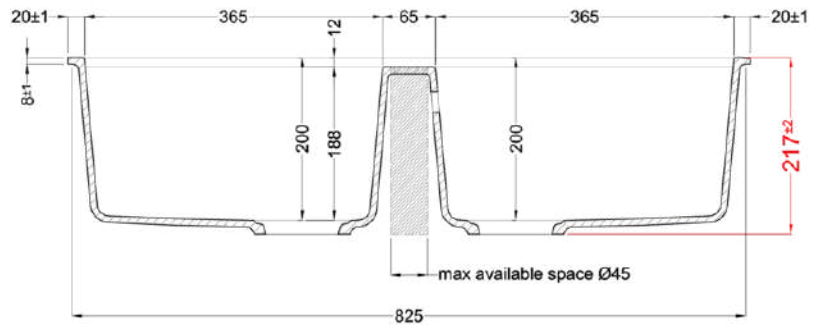
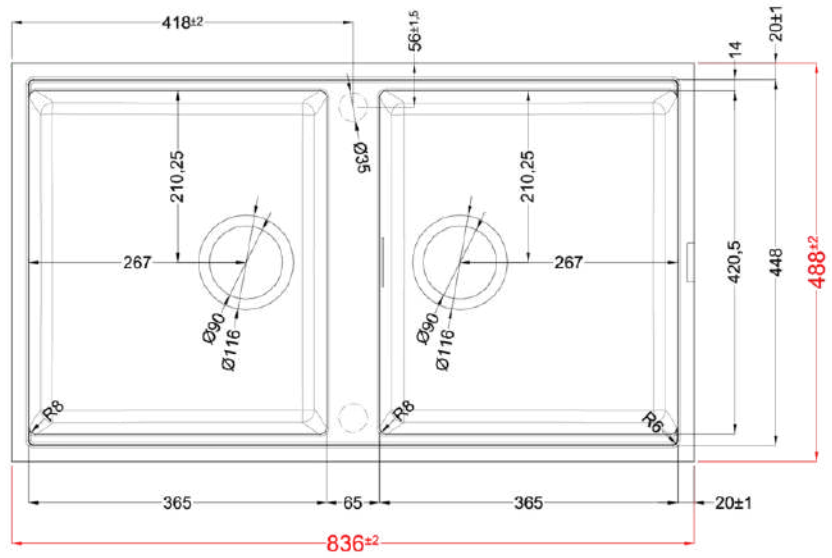
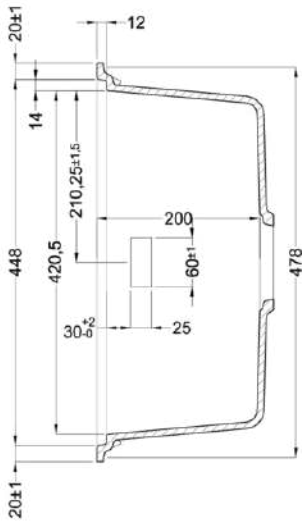
**LGB45051BSO** G51  
8032861041658



**LGB45059BSO** G59  
8032861042792



**LGB45062BSO** G62  
8032861046998



## BEST 450 UNDERMOUNT

general tolerances where not expressly communicated ±0.2%  
connection dimensions according to UNI EN 695

