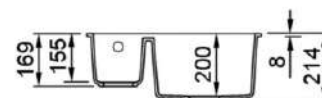
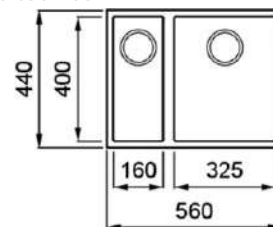


## QUADRA 150 SOTTOTOP



### Disegno tecnico



### CARATTERISTICHE PRODOTTO

<b>Descrizione</b>	Lavello 2 vasche
<b>Modello</b>	QUADRA 150 SOTTOTOP
<b>Base (mm)</b>	600
<b>Installazioni</b>	Sottotop
<b>Dimensioni (mm)</b>	560 x 440
<b>Foro da Incasso (mm)</b>	520 x 400 R5
<b>Numero Vasche</b>	2



### DATI LOGISTICI

<b>Peso Lordo (kg)</b>	15,01
<b>Peso Netto (kg)</b>	11,26
<b>Dimensioni Imballo (kg)</b>	690 x 575 x 300
<b>Volume Imballo (kg)</b>	0,119

### CARATTERISTICHE IMBALLO

<b>Imballo</b>	Cartone e polietilene
<b>Corredi</b>	Sifone salvaspazio, troppopieno tondo, pilette e ganci.

## KERATEK



**LKQ15086BSO** K86  
8031873023973



**LKQ15093BSO** K93  
8031873027445



**LKQ15095BSO** K95  
8031873027469



**LKQ15096BSO** K96  
8031873023966



**LKQ15097BSO** K97  
8031873027483



**LKQ15099BSO** K99  
8031873027506

## GRANITEK

### METAL



**LMQ15073BSO** M73  
8031873956349



**LMQ15079BSO** M79  
8032557953012

# GRANITEK

MATT



**LGQ15040BSO** G40  
8032861044277



**LGQ15043BSO** G43  
8032861044291



**LGQ15048BSO** G48  
8032557030713



**LGQ15068BSO** G68  
8032861057260



**LGQ15078BSO** G78  
8032557067207

# GRANITEK

CLASSIC



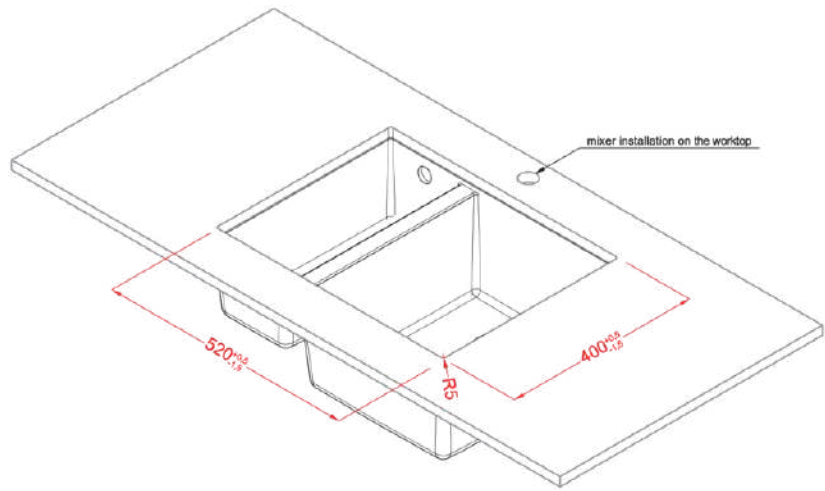
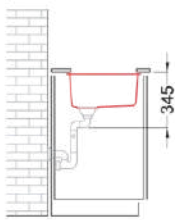
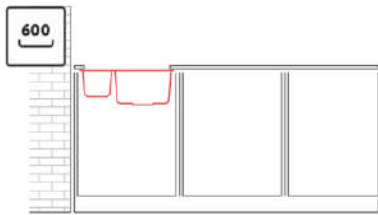
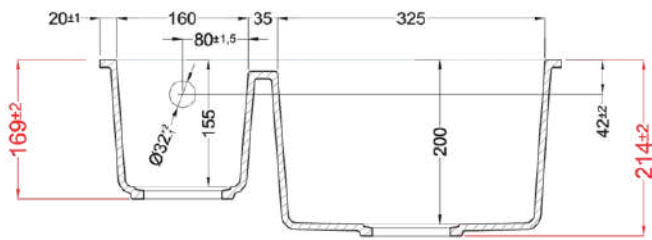
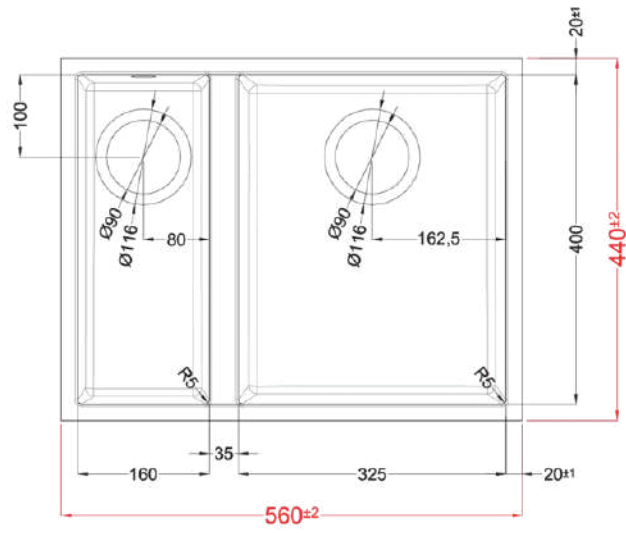
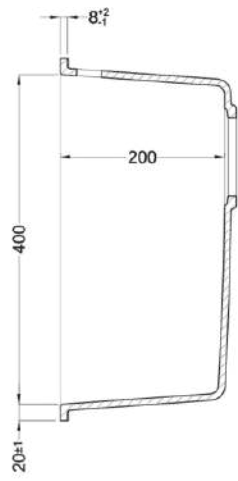
**LGQ15051BSO** G51  
8032861057055



**LGQ15059BSO** G59  
8032861057246



**LGQ15062BSO** G62  
8032861057253



## Quadra 150 Undermount

general tolerances where not expressly communicated  $\pm 1$  mm  
connection dimensions according to UNI EN 896  
eventual exceptions are reported with \*

elleci